

Intrinsically Safe Compact Balances

EK-EP

Series

*For precise weight measurement in
potentially explosive atmospheres*

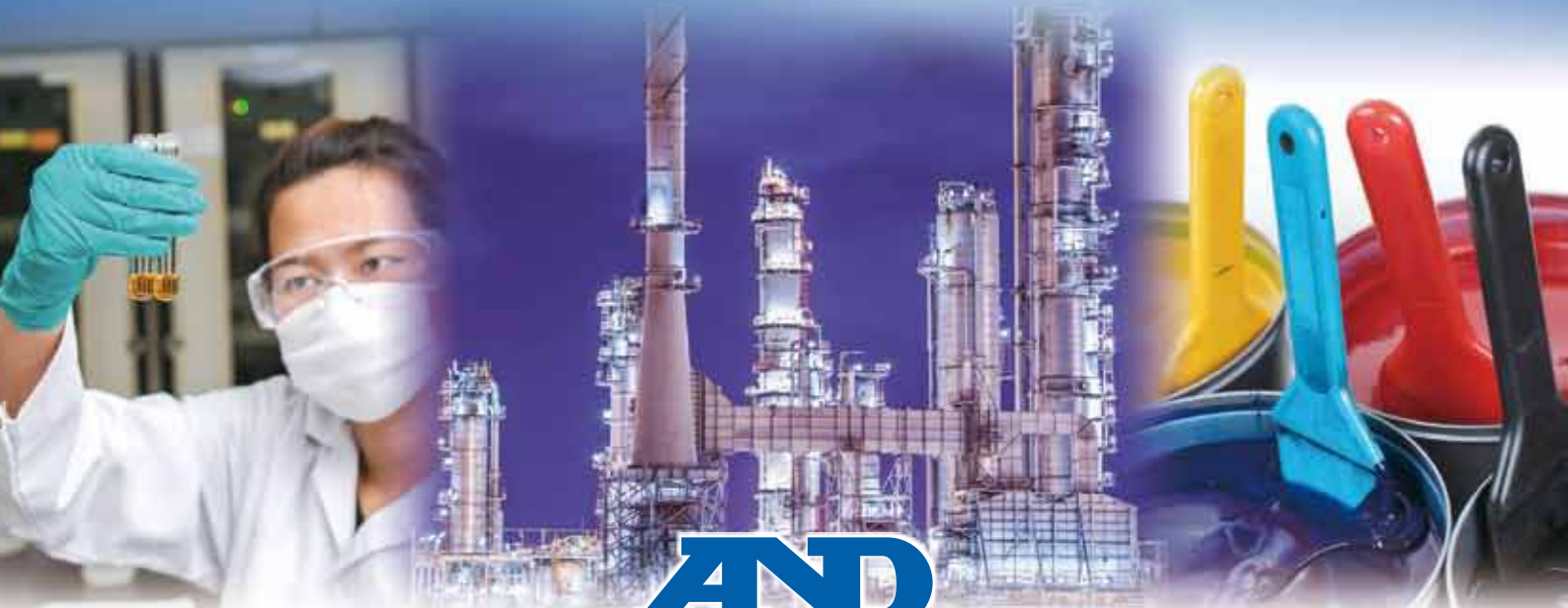


EK-3000EP



EK-300EP

IECEx: Ex ia IIB T3 Ga
ATEX: II 1G Ex ia IIB T3 Ga
FM/FMc (NEC505): AEx / Ex ia IIB T3
FM/FMc (NEC500): IS / I / 1 / C,D / T3C



A&D
A&D Australasia
"Excellence in Measurement"
www.andaustralasia.com.au



Features

- ✓ Compact, lightweight and extremely affordable while providing excellent explosion protection
- ✓ Battery operation*1 (approx. 250 hours) for high portability, requiring no power supply from a safe area via a safety barrier
- ✓ Auto power OFF function to save battery power
- ✓ Easy-to-read LCD display with backlight (16 mm character height)
- ✓ Hygienic and chemically resistant stainless steel (SUS304) weighing pan
- ✓ Multiple weighing units: g, oz, lb, ozt, ct, mom, dwt, gr, N, in addition to pcs (counting mode), % (percent mode) and SG (specific gravity)*2
- ✓ Comparator function for faster and more accurate filling, packing, sorting, etc.
- ✓ Adjustable response characteristics depending on the degree of drafts and vibrations at the location
- ✓ Security ring for wire-locking the balance to prevent theft

*1 Only to be used with four DURACELL AA alkaline MN1500 LR6, ENERGIZER AA E91 alkaline LR6 AM3, or Panasonic AA alkaline LR6 (XJ) 1.5V batteries.

*2 Either tl (tael) or tol (tola) can be added upon request.



Specifications

	EK-300EP	EK-3000EP	EK-12KEP
Weighing capacity	300 g	3000 g	12 kg
Minimum weighing value	0.01 g	0.1 g	1 g
Repeatability (standard deviation)	0.01 g	0.1 g	1 g
Linearity	±0.02 g	±0.2 g	±1 g
Sensitivity drift	±20 ppm/°C (10 to 30°C/50 to 86°F)		
Counting mode	Min. unit weight*3	0.01 g	0.1 g
	No. of samples	5, 10, 25, 50 or 100 pieces	
Percent mode	Min. % display	0.1%	
	Min. 100% weight	1 g	10 g
Operating temperature and humidity	0 to 40°C/32 to 104°F, 85% RH or less (no condensation)		
Battery life	Approx. 250 hours (with four AA alkaline batteries *1, backlight off)		
Weighing pan size	∅110 mm	133×170 mm	
Net weight	Approx. 1.2 kg	Approx. 1.5 kg	
Calibration weight*3	300 g	3000 g	10 kg

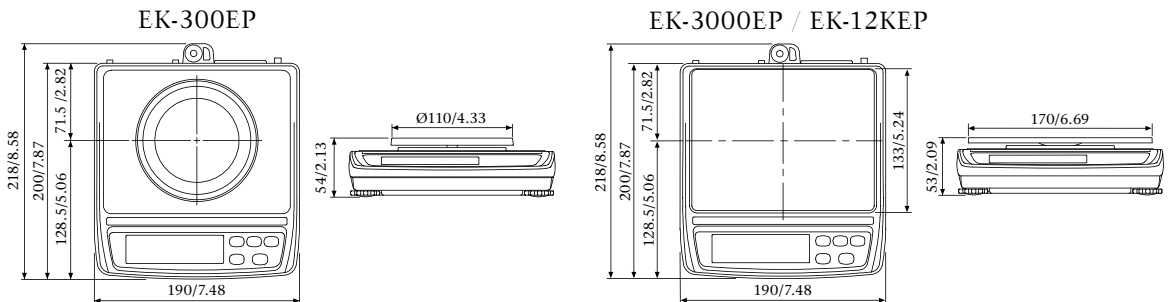
*3 Factory setting

Options

EJ-12 Carrying case



Dimensions (mm/inches)



AND
A&D Australasia

"Excellence in Measurement"

ACN 007 556 809
Head Office
32 Dew Street
THEBARTON South Australia 5031
Telephone (08) 8301 8100
Facsimile (08) 8352 7409

Victorian Office
39 Bakehouse Road
KENSINGTON Victoria 3031
Telephone (03) 9372 1522
Facsimile (03) 9372 1193

Email: sales@andaustralasia.com.au
Internet page: www.andaustralasia.com.au

New South Wales Office
Unit 4, 14 Abbott Road
SEVEN HILLS New South Wales 2147
Telephone (02) 9674 5466
Facsimile (02) 9674 2544

Your Dealer

AUSTRALIAN SCIENTIFIC PTY LTD

11 McDOUGALL ST, KOTARA NSW 2289

TEL: 1800 021083 • FAX: 02 49562525

sales@austscientific.com.au • www.austscientific.com.au