



AU25712T

60 Litre Toxic Substances Cabinet



AU25712T
Toxic Substance Cabinet
Complies with AS/NZ4452
60 Litre Maximum Capacity

External Size: 1005mm H x 595mm W x 465mm D
Internal Size: 765mm H x 505mm W x 375mm D

Supplied with two metal shelves as standard.

Extra shelves may be added.
Product Code: AU25995

FM Approved
(Factory Mutual Insurance Endorsement)

All Justrite Storage Cabinets are manufactured to comply fully with the relevant Australian Standards.

Powder Coat paint finish provides A superior no—drip, high gloss finish which minimises the effects of corrosion and humidity. The durable finish can withstand the abrasive type abuse as other types of finishes.

Locking Mechanism: 3 way Latching and locking bars to comply with standard AS/NZ4452

All cabinets are fitted with self closing door. This then provides a seal around the doors.

Full length door piano hinge provides a durable sealed barrier to cabinets contents.
Adjustable levelling feet at all four corners.

Shelving design permits the ventilation throughout the cabinet and troughs in each shelf collects spills and directs these away from contaminating products stored on the lower shelves. Shelves are adjustable incremental 76mm.

Each cabinet is provided standard with a 150mm deep fully sealed sump to contain spills or leaks within the cabinet. An additional shelf is included in our pricing to fit above the sump and utilise this as additional storage area.

Self closing mechanism is housed in the roof of the cabinet. This provides additional area within the cabinet for storage and avoids damage and alignment disorder. Cabinet closure mechanism are easily adjusted by removal of the four self tapping screws.

Dual 50mm NPS vents are provided with built in flash arresters. Where applicable hazardous vapours may be piped away.

Thermal Fusible Door Links for holding doors open while loading and unloading. This link separates at a temperature of 72 degrees to allow doors to close.

Double wall thermal barrier. 1.2mm steel thickness with 40mm air wall spacing.

After sales service and training available. It is our pleasure to provide a presentation after installation of the Justrite cabinets on the proper use and functions of each cabinet.

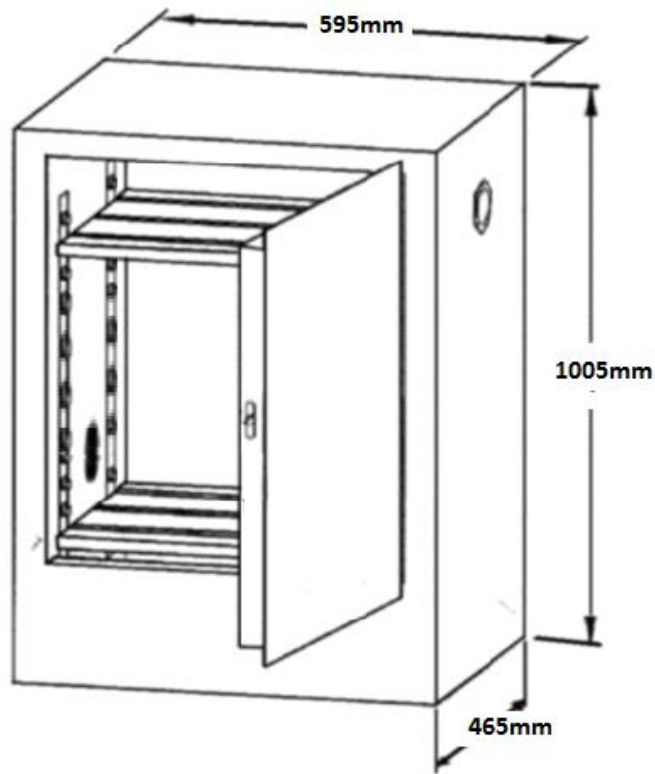
Delivery, most cabinets are available ex stock to meet your requirements.

10 Year Manufacturing Warranty

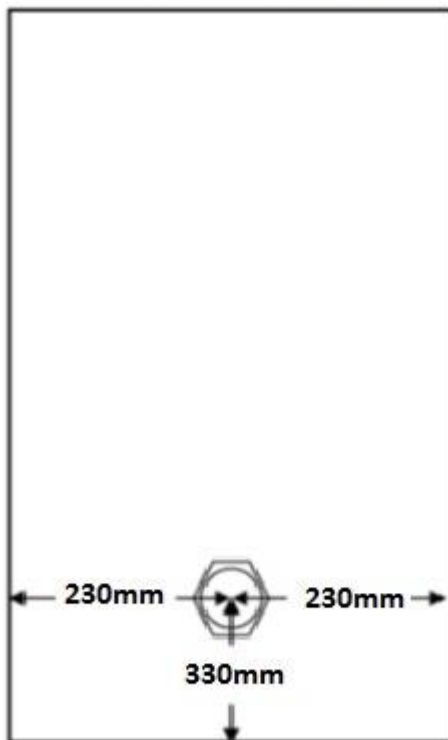
AU25712T

Toxic Substances Cabinet

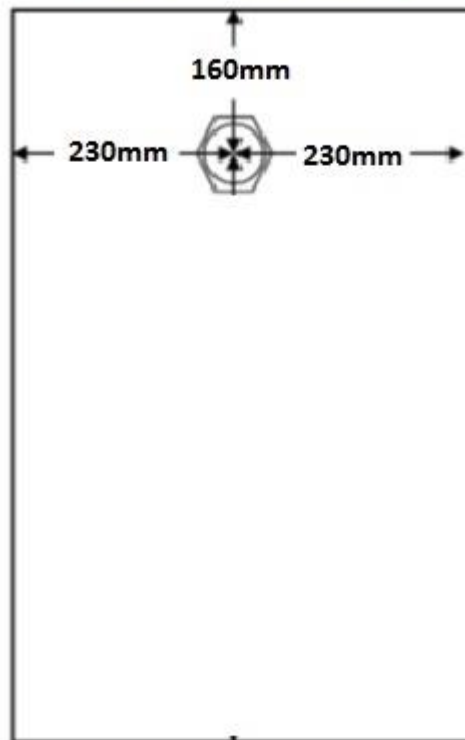
60 Litre



Left Side Vent Position



Right Side Vent Position



Base of Cabinet Ground Level