

SE 4530SSM

Installation, Maintenance and Operating Instructions

DESCRIPTION

Wall mounted EMERGENCY EYE WASH & BODY DRENCH HOSE unit. Eye wash is supplied with a 15mm stay open full flow ball valve, activated by a activation push hand flag handle. Body Drench hose is activated by squeeze handle.

Manufactured in Australia to comply with AS 4775 - 2007.

SPECIFICATION

EYE/WASH:	Aerated Eye Wash
VALVE:	15mm Stainless Steel
ACTIVATOR:	Stainless Steel Push Handle
WALL MOUNT Brk:	Stainless Steel

FLOW DATA

Flow Rate (LPM)	12
-----------------	----

INSTALLATION

After unpacking the carton, ensure all components are present. Mark out the wall as per mounting bracket detail. Mount the unit to the wall using suitable fasteners. Fit activation handle and fasten. Prior to connecting the water supply flush the pipe line to clear of impurities and debris. Connect water supply to 15mm connection at the rear of the tee. Turn water supply on and assure all connections are water tight. Activate the unit and check spray pattern is balanced centrally in the basin.

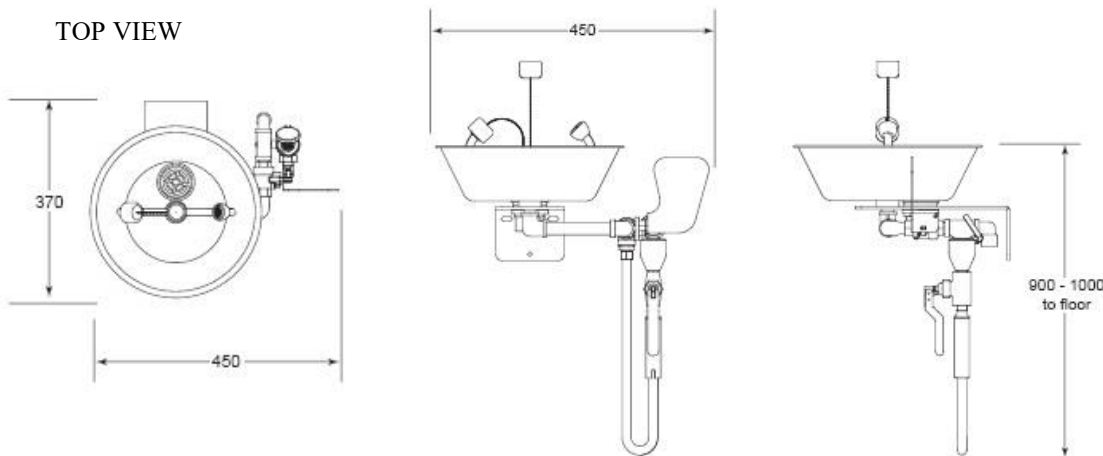
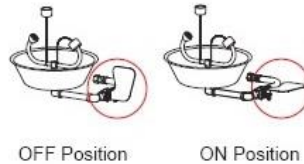
NOTE: This unit should be connected to an uninterrupted source of potable water, no less than 19mm with a minimum flowing pressure of 130KPa and a maximum static pressure of 860KPa.

TESTING PROGRAM

The Australian Standards AS4775-2007 states that all safety equipment shall be activated on a weekly basis to flush the line and verify proper operation. All units furnishes a testing tag (SE Tag) with each unit. On this tag the date of the inspection and the inspectors initials should be noted.

OPERATION

The eye wash is activated by pushing the activation push hand flag rearward. The unit will operate until the activation handle is manually pulled to the off position. The drench hose is activated by squeezing the activation handle. The drench hose will operate until handle is released.



WARNING : Use only genuine Speakman parts when replacing or repairing components. When ordering quote correct part numbers listed.



SPEAKMAN®
SAFETY PRODUCTS

SE 4530SSM
Aerated Eye Wash
& Body Drench Hose

AUSTRALIAN  SCIENTIFIC

Australian Scientific Pty Ltd
11 McDougall Street
Kotara NSW 2289

E: sales@austscientific.com.au
W: www.austscientific.com.au
Free call: 1800-021 083

Installation, Maintenance and Operating Instructions

MAINTENANCE

Should be carried out weekly and yearly as detailed in the schedule. Should you need to repair this unit, please reference the spare parts list for correct part numbers. Before any maintenance is done **be sure the water supply is shut off.**

MAINTENANCE SCHEDULE

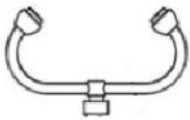
WEEKLY	Activate eye wash unit using push handle Allow water to flow for 30 seconds to flush line. Ensure water flows evenly from both Outlets. Ensure water is clean.
YEARLY	Ensure unit complies with AS 4775 - 2007

① Part No: RPG05 1177

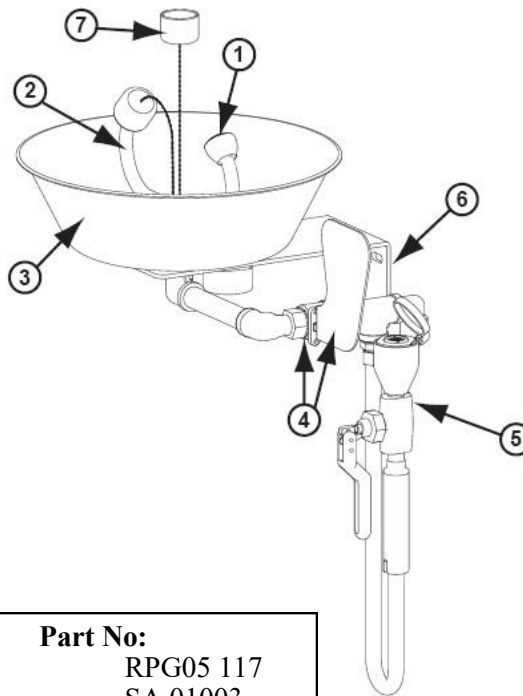


Sold in a packet of 6

② Part No: SA 01003



Complete Bull Horn Assembly



SPARE PARTS

No	Description	Part No:
1.	Aerator Screen & Cap Assembly	RPG05 117
2.	Eye Wash Bull Horn Assembly	SA 01003
3.	Stainless Steel Bowl	SR 03001
4.	15mm Ball Valve & Push Handle	SE 910H
5.	Body Drench Hose	SE 920
6.	Wall Mount Bracket	SR02004
7.	Dust Cap Assembly	SA 01008

WARNING : Use only genuine Speakman parts when replacing or repairing components. When ordering quote correct part numbers listed.



SPEAKMAN®
SAFETY PRODUCTS

SE 4530SSM
Aerated Eye Wash
& Body Drench Hose



Australian Scientific Pty Ltd
11 McDougall Street
Kotara NSW 2289

E: sales@austscientific.com.au
W: www.austscientific.com.au
Free call: 1800-021 083