

SE 505

Installation, Maintenance and Operating Instructions

Wall mounted **EMERGENCY EYE WASH**. The unit is fitted with a 15mm stay-open full flow ball valve. Activated by paddle handle.

Manufactured in Australia to comply with AS4775-2007.

SPECIFICATIONS

EYE WASH : Aerated
VALVE : 15mm S/Steel Ball Valve
ACTIVATOR : S/S Paddle Handle
BOWL : 304 Stainless Steel Round

INSTALLATION

After unpacking carton, ensure all components are present. Mount to wall using suitable anchors. Attached paddle handle to the unit. Once unit is completely assembled, connect to water supply pipe no less than 15mm that has an uninterrupted source potable water. Use pipe sealant on this joint. Failure to use potable water can result in emergency units producing impure or contaminated water causing possible further injury. Test unit.

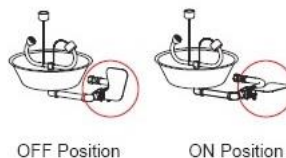
Note: This unit should be connected to an uninterrupted source of potable water, with a minimum flowing pressure of 130KPa and maximum static pressure of 860 KPa.

TESTING PROGRAM

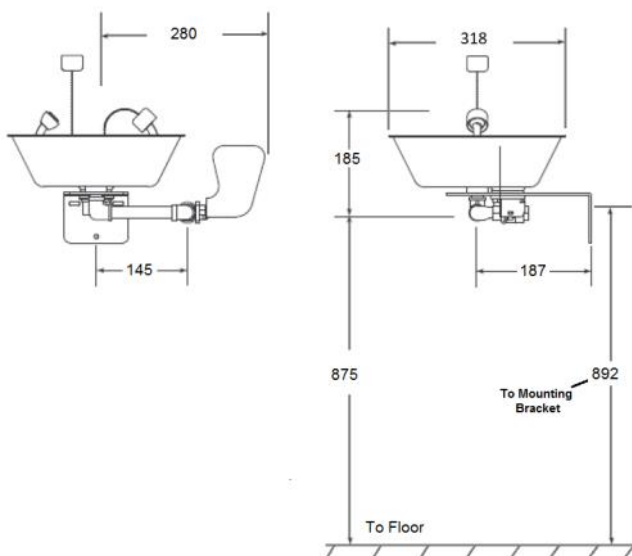
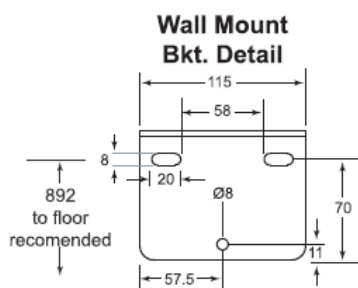
The Australian Standards AS4775 states that all safety emergency equipment shall be activated on a weekly basis to flush the line and verify proper operation. All units furnishes a testing record tag (SE TAG) with each unit. On this tag the date of inspection and the inspectors initials should be noted.

OPERATION

The eye wash is activated by pushing the paddle handle back 90° degrees. The unit will operate until the paddle handle is manually pulled back up to the off position.



FLOW RATE
EYE WASH (LPM): 12



WARNING : Use only genuine Speakman parts when replacing or repairing components. When ordering quote correct part numbers listed.



SPEAKMAN®
SAFETY PRODUCTS

SE 505
Wall Mount Aerated Eye Wash

Installation, Maintenance and Operating Instructions

MAINTENANCE

Should you need parts to repair this unit, please reference the parts listing below for correct part numbers. Before any maintenance is done **be sure to shut the water supply off.**

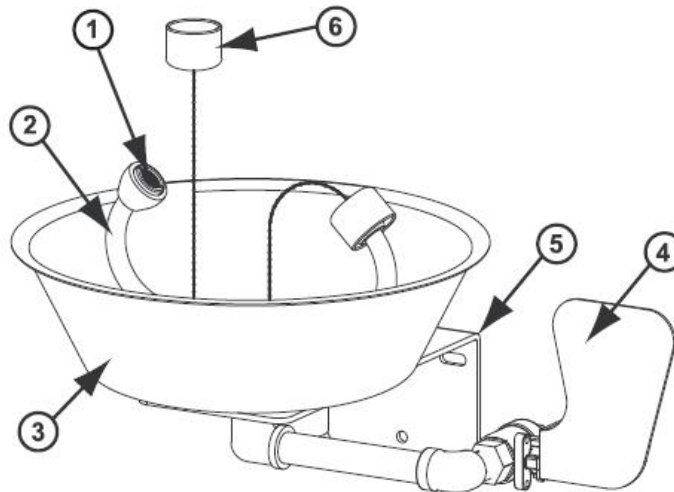
MAINTENANCE SCHEDULE

- WEEKLY Activate eyewash unit using push handle.
Allow water to flow for 30 seconds to flush line.
Ensure water flows evenly from both outlets.
Ensure water is clean.
- YEARLY Ensure unit complies with AS 4775-2007.

① Part No RPG05 1177



Sold in a packet of 6



SPARE PARTS

No	Description	Part No
1.	Aerator Screen & Cap Assembly	RPG05 1177
2.	Bulls Horn Wash Assembly	SA 01003
3.	Stainless Steel Bowl	SR12008
4.	15mm Ball Valve & Handle	SE 910 H
5.	Wall Bracket	SR 02007
6.	Dust Cap & Chain	SA 01008

WARNING : Use only genuine Speakman parts when replacing or repairing components. When ordering quote correct part numbers listed.

AUSTRALIAN  SCIENTIFIC

Australian Scientific Pty Ltd
11 McDougall Street
Kotara NSW 2289

E: sales@austscientific.com.au
W: www.austscientific.com.au
Free call: 1800-021 083



SPEAKMAN
SAFETY PRODUCTS

SE 505
Wall Mount Aerated Eye Wash