

SE 584HFO

Installation, Maintenance and Operating Instructions

DESCRIPTION

Floor mounted EMERGENCY AERATED EYEWASH combination unit. Eye wash is supplied with a 15mm stay open full flow ball valve, activated by an activation paddle handle and foot pedal. **Manufactured in Australia to comply with AS4775-2007.**

SPECIFICATIONS

EYE WASH

EYE WASH- Stainless Steel
VALVE- 15mm Stainless Steel
ACTIVATOR- 304 Stainless Steel Paddle Handle
BASE PLATE- 304 Stainless Steel
FOOT PEDAL ASSEM- 304 Stainless Steel Tube
STANCHION - 304 Stainless Steel Tube

FLOW DATA

EYE-WASH
FLOW RATE (LPM) : 12

INSTALLATION

After unpacking carton, ensure all components are present. Mark out the floor and mount the bottom stanchion section using suitable anchors (10-12mm x 50 Dynabolt). Attach paddle handle. Once the unit is completely assembled, connect water supply to 15mm inlet nipple. Flush pipe line prior to operating Eye wash to clear supply line of any impurities and debris. Failure to use potable water can result in emergency units producing impure or contaminated water causing possible further injury.

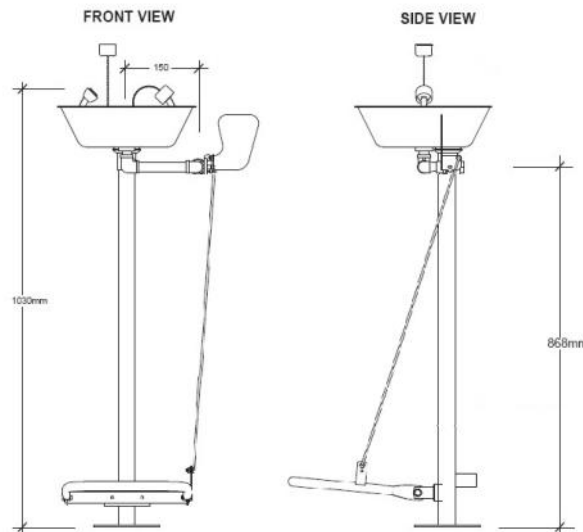
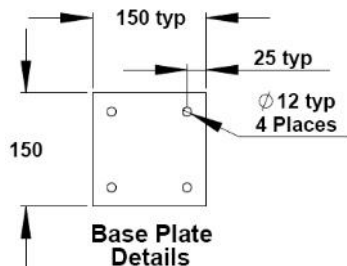
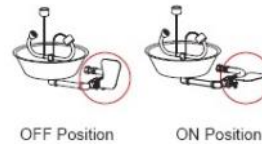
NOTE: This unit should be connected to an uninterrupted source of potable water, no less than 15mm with a minimum flowing pressure of 130KPa and a maximum static pressure of 860 KPa.

TESTING PROGRAM

The Australian Standards AS4775-2007 states that all safety equipment shall be activated on a weekly basis to flush the line and verify proper operation. All units furnishes a testing tag (SE Tag) with each unit. On this tag the date of the inspection and the inspectors initials should be noted.

OPERATION

The eye wash is activated by hand paddle and foot pedal. Activation is by pushing the paddle handle rearward. The unit will operate until the paddle handle is manually pulled to the off position.



WARNING : Use only genuine Speakman parts when replacing or repairing components. When ordering quote correct part numbers listed.



SPEAKMAN®
SAFETY PRODUCTS

SE 584HFO
Pedestal Mount Aerated
With Eye Wash

AUSTRALIAN  SCIENTIFIC

Australian Scientific Pty Ltd
11 McDougall Street
Kotara NSW 2289

E: sales@austscientific.com.au
W: www.austscientific.com.au
Free call: 1800-021 083

Installation, Maintenance and Operating Instructions

MAINTENANCE

Maintenance should be carried out weekly and yearly as detailed in the schedule. Should you need to repair this unit, please reference the spare parts list for the correct part numbers. Before any maintenance is done **be sure the water supply is shut off.**

MAINTENANCE SCHEDULE

WEEKLY	Activate eyewash unit using push handle Allow water to flow for 30 seconds to flush line. Ensure water flows evenly from both outlets. Ensure water is clean.
YEARLY	Ensure unit complies with AS 4775 –2007

① Part No RPG05 1177

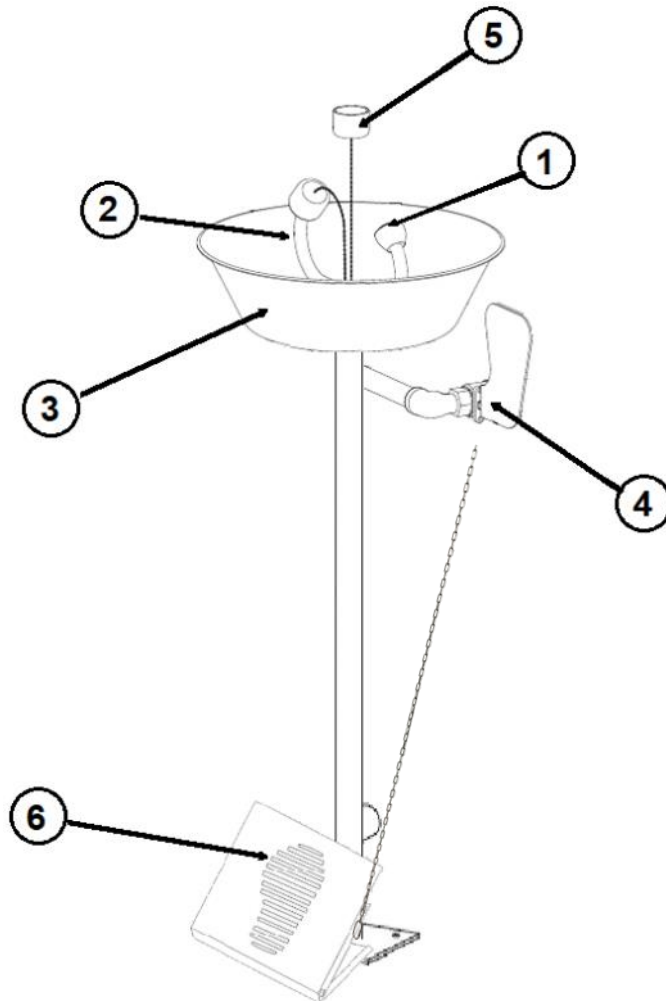


Sold in a packet of 6

② Part No: SA 01003



Complete Bull Horn Assembly



SPARE PARTS

No	Description	Part No:
1.	Aerator Screen & Cap	RPG05 1177
2.	B/Horn Eyewash Assembly	SA01003
3.	Stainless Steel Bowl	SR 03001
4.	15mm Ball Valve & Hand Flag	SE910H
5.	Red Dust Cap & Chain	SA 01008
6.	S/Steel Foot Pedal & Chain	SA 03001

WARNING : Use only genuine Speakman parts when replacing or repairing components. When ordering quote correct part numbers listed.



SPEAKMAN®
SAFETY PRODUCTS

SE 584HFO
Pedestal Mount with
Aerated Eye Wash



Australian Scientific Pty Ltd
11 McDougall Street
Kotara NSW 2289

E: sales@austscientific.com.au
W: www.austscientific.com.au
Free call: 1800-021 083