

SE 920

Installation, Maintenance & Operation Instructions

DESCRIPTION

LABORATORY DRENCH HOSE supplied with aerated spray head with flip-off dust cover, and self-closing valve activated by squeeze handle. **Manufactured to comply with AS4775 –2007.**

SPECIFICATIONS

SPRAY HEAD: Aerated, ABS Plastic Spray Outlet,
VALVE: 10mm Chrome-Plated Brass. Self-Closing.
ACTIVATOR: Squeeze Handle.

INSTALLATION

After un-packing carton, ensure all components are present. Connect water supply to the unit. Turn water supply on and assure all connections are water tight. Activate the unit and allow to flow for 30 seconds to flush line of any impurities.

OPERATION

The drench hose is activated by applying pressure to the valve handle. The self-closing valve will open and an aerated flow of water will discharge from the outlet. Water will continue to flow as long as the handle is depressed. Once pressure on the handle is released, the valve will immediately turn off the water to the unit.

TESTING PROGRAM

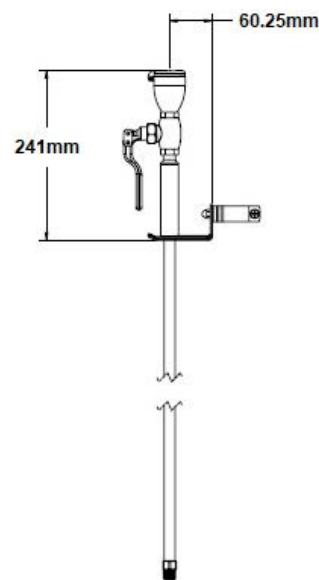
The Australian Standard AS4775-2007 and ANSI-358.1 states that all safety emergency equipment shall be activated on a weekly and yearly basis as detailed in the schedule. Should you need to repair this unit, please reference the spare parts list for correct part numbers.

NOTE: This unit should be connected to an uninterrupted source of potable water, with a minimum flowing pressure of 30 PSI and a maximum static pressure of 125 PSI.



SPEAKMAN®
SAFETY PRODUCTS

SE 920
Laboratory Body Drench Hose



3/8" NPT Water
Supply Inlet

FLOW DATA
DRENCH HOSE:
FLOW RATE (LPM) 6

WARNING : Use only genuine Speakman parts when replacing or repairing components. When ordering quote correct part numbers listed.

AUSTRALIAN  SCIENTIFIC

Australian Scientific Pty Ltd
11 McDougall Street
Kotara NSW 2289

E: sales@austscientific.com.au
W: www.austscientific.com.au
Free call: 1800-021 083

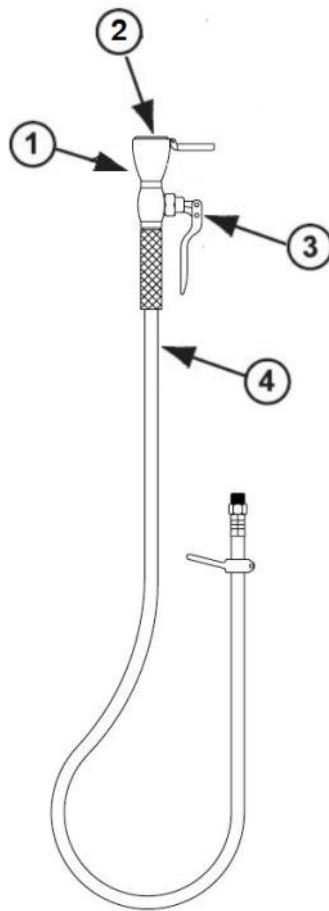
Installation, Maintenance & Operation Instructions

MAINTENANCE

Should you need parts to repair this unit, please reference the parts listing below for correct part numbers. Before any maintenance is done be sure to shut the **water supply off**.

MAINTENANCE SCHEDULE

WEEKLY	Activate eyewash unit using squeeze hand. Allow water to flow for 30 seconds to flush line. Ensure water flows evenly from the outlet. Ensure water is clean.
YEARLY	Ensure compliance with AS 4775-2007



SPARE PARTS

No	Description	Part No
1	Aerator Spray Head Assembly	G38 - 0415
2	Aerated Screens Assembly	RPG05 1177
3	Squeeze Handle & Valve	RPG20-2020
4	1.8Mt Hose Assembly	RPG63 0065

WARNING : Use only genuine Speakman parts when replacing or repairing components. When ordering quote correct part numbers listed.

AUSTRALIAN  SCIENTIFIC

Australian Scientific Pty Ltd
11 McDougall Street
Kotara NSW 2289

E: sales@austscientific.com.au
W: www.austscientific.com.au
Free call: 1800-021 083

SPEAKMAN®
SAFETY PRODUCTS

SE 920
Laboratory Body Drench Hose

