



Compact Low-Speed Centrifuge with a Modern Touch-Wheel Interface Ideal for General Lab Applications

The FC5707 is a reliable compact low-speed general purpose centrifuge which includes a pre-installed 8 × 15 mL rotor. The rotor can process both round and conical bottom tubes (including common blood tubes), and can also be adapted easily with accessories to process smaller tubes. Designed with convenient operation in mind, the FC5707 features a uniquely designed splash-proof front panel with Touch-Wheel control on an intuitive interface.

Standard Features:

- **Modern Touch-Wheel Control on a Sleek Splash-Proof Interface**—Designed for ease of operation, the FC5707 features convenient control on a protective splash-proof interface, which allows for responsive operation—even when wearing gloves.
- **The Compact Design Saves Valuable Benchtop Space**—Enclosing all its functionalities within a small footprint, the FC5707 saves valuable space on the lab bench.
- **Easy and Flexible Operation for a Range of Applications**—The 8 × 15 mL angle rotor can process both round and conical bottom tubes, including common blood tubes. It can also be adapted for use with smaller tubes such as 7, 5 and 1.5/2 mL when used with accessories.

FRONTIER™ 5707 Multi Centrifuge

Model	FC5707
Speed Range	200 rpm – 6800 rpm; 10 rpm/set
Maximum RCF	4445 × g; 10 × g/set
Maximum Capacity (Rotor)	8 × 15 mL RB* / 4 × 15 mL FA*
Temperature Range	Air cool
Running Time	Quick Spin, 10 sec to 99 hr 59 min 59 sec, or continuous
Noise Level	≤ 60 dB(A)
Acc/Dec Levels	10
Allowable Density at Maximum Speed	1.2 g/mL
Allowable Kinetic Energy	845 Nm
AC Power	230 V ~ 50/60 Hz
Voltage Fluctuation	± 10%
Current Consumption	0.8 – 0.4 A
Power Consumption	50 W
Dimensions (W × D × H)	277 × 356 × 236 mm
Net Weight (with rotor)	10 kg
Shipping Dimensions (W × D × H)	370 × 470 × 340 mm
Shipping Weight (with rotor)	11.5 kg
Environment	For indoor use only

*RB-round bottom, FA-conical bottom


Other Standard Features and Equipment

Ten acceleration and ten deceleration rates, pre-selection of running time from 10s to 99h 59min or continuous, audible signal at the end of each run with melody options, quick spin for short runs

Compliance

- **Product Safety:** IEC/EN 61010-1; IEC/EN 61010-020
- **Electromagnetic Compatibility:** IEC/EN 61326-1 Class B, Basic environments
- **Compliance Mark:** CE

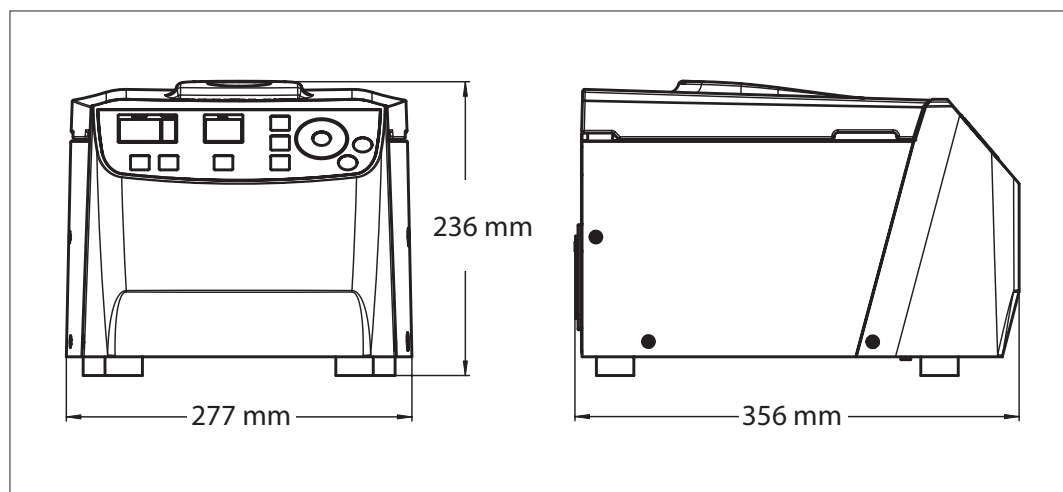
Rotor and Accessories

	Order No.	30472305
	Description	Rotor, Angle, 8 × 15 mL
	Max. Speed	6800 rpm
	Max. RCF	4445 × g

Accessories

Order No.	Description	Vol./Tube	Diameter	Tube type
Without Adapter	Rotor, Angle, 8 × 15 mL Round bottom tubes/ 4 × 15 mL Conical bottom tubes	15 mL	17 mm	Round bottom/ Conical bottom
30130889	Adapter, 1 × 7 mL D13.5 mm RB, 2/pk	7 mL	13.5 mm	Round bottom
30130890	Adapter, 1 × 5 mL D13.5 mm RB, 2/pk	5 mL	13.5 mm	Round bottom
30130886	Adapter, 1 × 1.5/2.0 mL D11 mm, 6/pk	1.5/2 mL	11 mm	Microtube

Dimensions



30385207 20190111 © Copyright OHAUS Corporation

Australian Scientific Pty Ltd
sales@austscientific.com.au
(02) 4956 2299

The management system
governing the manufacture
of this product is
ISO 9001:2015 certified.

SAP Literature: 30385207

