



FRONTIER™ 5706

Multi Centrifuge



Reliable and Compact Multi-Function Centrifuge For Standard Life Science Separation Applications

Frontier™ 5706 is a small benchtop multi-function centrifuge ideal for a multitude of spin-down applications. Characterized by reliability, various safety features, the ability to accommodate test tubes of various sizes and intuitive operation, Frontier 5706 was built to meet the basic need for liquid separation in the life sciences.

Unique Features Include:

- **Extremely Simple and Intuitive Operation**—With an easy-to-turn control knob, a large LCD display and the capabilities to set and view both speed in rpm and g-force, enjoy precise results and enhanced functionality with extremely simple operation.
- **Compatibility with Test Tubes of Various Sizes**—Frontier 5706 can accommodate all standard tube sizes from 1.5 mL to 50 mL, providing centrifugation for a wide variety of applications. It also has a large capacity, and can hold six 50 mL tubes or twelve 15 mL tubes during one process.
- **Several Safety Features that Protect Against Injury**—Among Frontier 5706's safety attributes are sturdy mechanical lid with locking system and a rotor imbalance sensor that stops the centrifuge if the rotors become imbalanced or sudden shock occurs, protecting the operator from being injured by the high-speed spinning rotors.

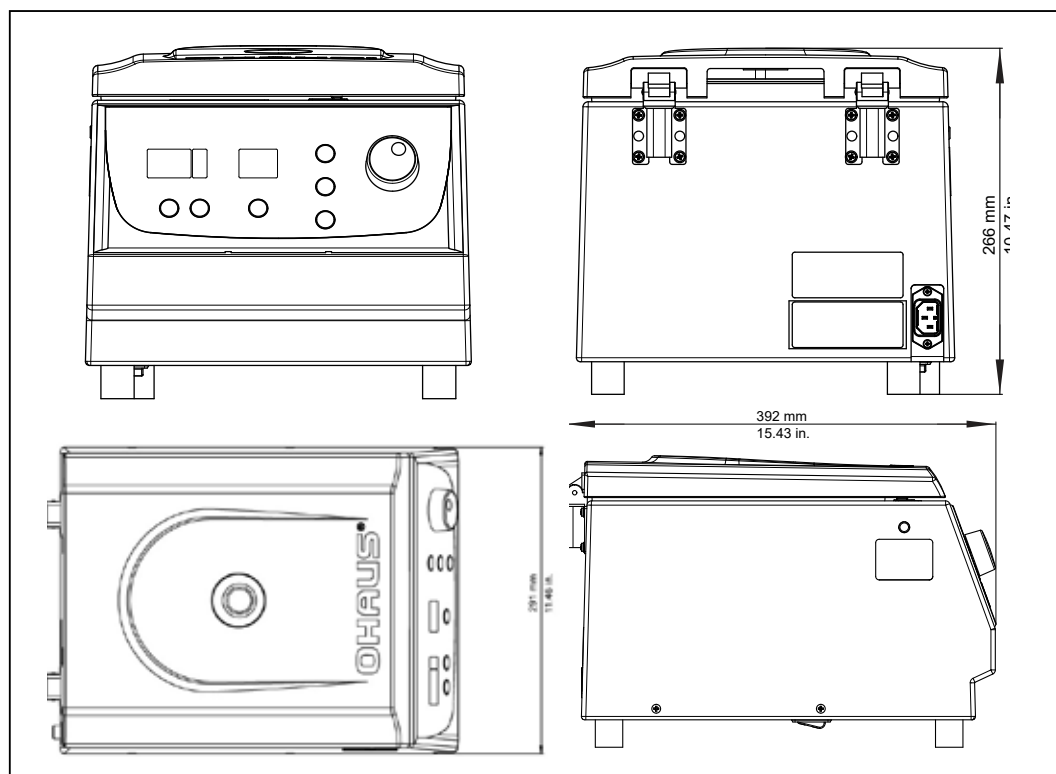
FRONTIER™ 5706 Multi Centrifuge

Model	FC5706	
Speed Range	200 rpm – 6000 rpm; 50 rpm/increments	
Maximum RCF	4427 x g; 10 x g/set	
Maximum Capacity (Rotor)	6 x 50 mL	
Cooling	Air Cooled	
Running Time	10 sec to 99 hr 99 min 99 sec or Continuous	
Noise Level (Depending on the Rotor)	≤ 60 +2 dB(A)	
AC Power	230 V/50 – 60 Hz	120 V/50 – 60 Hz
Voltage Fluctuation	± 10%	± 10%
Current Consumption	0.55 A	1.1 A
Power Consumption	100 W	100 W
Dimensions (W × D × H)	11.5 × 15.4 × 10.5 in/291 × 392 × 266 mm	
Net Weight (Without Rotor)	23 lb/10.5 kg	
Shipping Dimensions (W × D × H)	15.7 × 21.5 × 16.1 in/400 × 545 × 410 mm	
Shipping Weight (Without Rotor)	33 lb/15 kg	

Approvals

- **Product Safety:** EN 61010-1:2010, EN 61010-2-020:2006
- **Electromagnetic Compatibility:** EN 61326-1:2006, FCC Part 15 Class B

Dimensions



Australian Scientific Pty Ltd
sales@austscientific.com.au
 (02) 4956 2299

***ISO 9001:2008**
 Registered Quality
 Management System



FRONTIER™ 5706 *Rotors and Accessories*



Rotors and Adapters that Expand the Versatility of Frontier FC5/06

Various rotors and tube adapters provide FC5706 with the ability to hold tubes of different sizes and capacities.



Item	Angle Rotor, 12 × 15 mL	7mL Tube Adapter	5mL Tube Adapter	1.5 mL/2.0 mL Tube Adapter
Item Number	30130877	30130889	30130890	30130886
Compatible Tubes	15 mL	7 mL	5 mL	1.5mL / 2.0mL
Maximum Number of Tubes	12	12	12	12
Max. RPM	6000 rpm	6000 rpm	6000 rpm	6000 rpm
Max. RCF	4427 × g	4265 × g	3621 × g	3058 × g
Radius	4.3 in/110 mm	4.17 in/106 mm	3.54 in/90 mm	2.99 in/76 mm
Type	Angle Rotor ∠32°	—		
Rotor Material	Polypropylene	—		



Item	Angle Rotor, 6x50 mL	30 mL Tube Adapter	16 mL Tube Adapter	15 mL Tube Adapter	15 mL RB/ Falcon Tube Adapter
Item Number	30130878	30130891	30130892	30130893	30130894
Compatible Tubes	50 mL	30 mL	16 mL	15 mL	15 mL RB/Falcon
Maximum Number of Tubes	6	6	6	6	6
Max. RPM	6000 rpm	6000 rpm	6000 rpm	6000 rpm	6000 rpm
Max. RCF	4427 × g	4306 × g	4145 × g	4225 × g	4185 × g
Radius	4.33 in/110 mm	4.21 in/107 mm	4.06 in/103 mm	4.13 in/105 mm	4.09 in/104 mm
Type	Angle Rotor ∠40°	—			
Rotor Material	Polypropylene	—			

FRONTIER™ 5706 Rotors and Accessories



Item	Swing Out Rotor, 6 × 5 mL
Item Number	30130880
Compatible Tubes	5 mL
Maximum Number of Tubes	6
Max. RPM	4000 rpm
Max. RCF	1878 x g
Radius	4.13 in/105 mm
Type	Swing Out Rotor
Rotor Material	Aluminium



Item	Replaceable Buckets, For Swing Out Rotor (2 PCS/Package)
Item Number	30130895